

● Feature 特性

- ★AT308 插件晶振、晶体谐振器
- ★满足无铅焊接的回流温度曲线要求
- ★高精度、高频率稳定性、可靠性
- ★低功耗、低抖动
- ★降低电磁干扰 (EMI) 影响
- ★优良的耐环境特性, 可达工业级温度
- ★包装: 编带卷, 3000pcs/卷

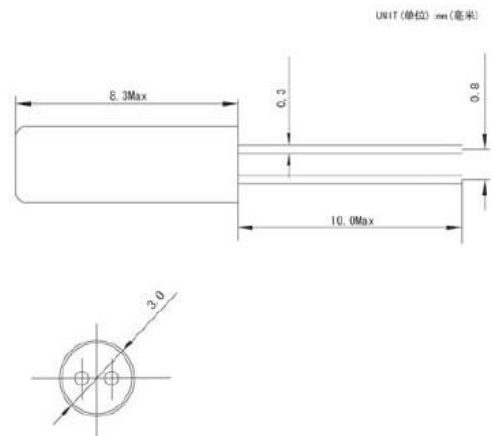
●Electrical specifications 电气参数

型号	Holder Type	AT 3×8
频率范围	Frequency Toleranc (ΔF) at25°C	32.768KHz~75KHz
温度频差	Frequency rift	±10ppm~±20ppm
工作温度范围	Operating Temperature Range	-20°C~+70°C to -40°C~+85°C
储存温度范围	Storage Temperature Range	-20°C~+60°C to -55°C~+125°C
老化	Aging 25°C	±3ppm/year Maximum
静电容	Shunt Capacitance (C0)	5pf Maxmum
激励功率	Drive Level	1uw Max
绝缘阻抗	Insulaton Resistance	500Mohms at DC 100V
负载电容	Load Capacitance (CL)	12.5pf



Pb Free RoHS Compliant Directive 2002/95/EC

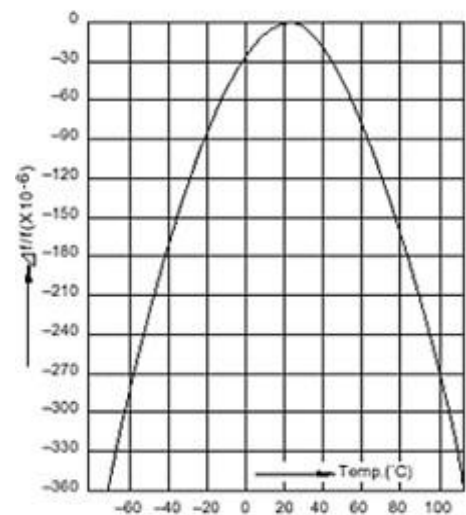
●Mechanical Dimensions 外型尺寸



●Equivalent Series Resistance and Mode of Operation 等效电阻和振荡模式

Frequency Range 频率范围	ESR(ohm) 等效阻抗	Mode振荡模式
30.000-40.000 KHz	40Kohm Max	Fundamental
40.000-60.000 KHz	35Kohm Max	Fundamental
60.000-100.000 KHz	30Kohm Max	Fundamental
1000.000-200.000 KHz	25Kohm Max	Fundamental

●Frequency VS. Temperature Curve



●Reflow condition 回流焊条件

